

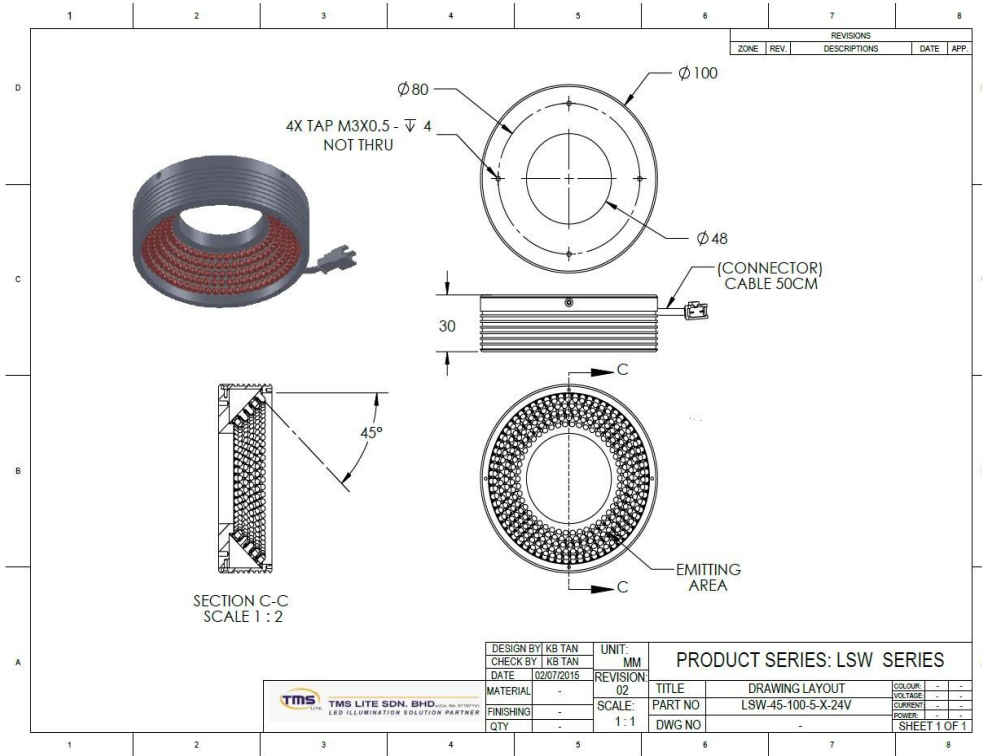


OPTO ENGINEERING

# ILLUMINATOR DATA

## LTZGK100-45-5-B-24V

### Lighting Dimension



### Mechanical Information

Casing Material	Aluminium
Storage Temperature Range	0 - 45°C
Storage Humidity Range	20 - 85%
Weight	250g
Length / Outer Diameter	100mm
Width / Inner Diameter	48mm
Thickness / Height	30mm



OPTO ENGINEERING

# ILLUMINATOR DATA

## LTZGK100-45-5-B-24V

Lighting Information			
Part Number	LTZGK100-45-5-B-24V		
LED Color	BLUE		
Wavelength	470nm		
Working Distance	14mm	24mm	34mm
Intensity ( $\pm 15\%$ )	199900lx	133700lx	93800lx
Illumination (number of row)	5		
Illumination Active Area	Active Length / Outer Dia.	91mm	
	Active Width / Inner Dia.	58mm	
Emission angle	0		
Eye Safety Class ( IEC62471 )	II		
Chromaticity Table For White colour only	Nil		

Electrical Information	
Rated Constant Voltage	24V $\pm 2\%$
Rated Constant Current	600mA
Power Consumption	14.40mA
Casing temperature, After 60 minutes operation	50.8 °C

Strobe Mode Specification		
*Normal Strobe Voltage	24 V	
*Normal Strobe Current	600mA	
Overdrive Voltage Range	Min: 36V	Max: 48V
Overdrive Current Range	Min: 2.22A	Max: 4A
Recommended Overdrive Voltage	36V	
**Max. Trigger Pulse Duration	10 msec	
**Max. Duty Cycle	10%	

\*Normal strobe means the lighting is operated using the rated power. Overdrive means the power supplied to the lighting exceeded the rated power.


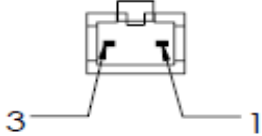
\*\*Overdrive condition must not exceed the max. trigger pulse duration and max. duty cycle.



OPTO ENGINEERING

# ILLUMINATOR DATA

## LTZGK100-45-5-B-24V

Connection Information			
Connector Type (Default)	JST SMR-03V		
Cable Length	50 cm		
Pin Configuration 	Pin	Signal	Cable Colour
	1	LED +	Red
	2	N.C	-
	3	LED -	White
			

Additional Information	
Additional Cooling Method	Attached to machine part for better heat dissipation
Intensity Controller Selection	SD, ST, ANG, LC, SDA, SDP series
CE Conformity	YES
RoHS Compliance	YES

Application	
Illumination Type	DIRECT ILLUMINATION
Application Use	Label Inspection, Substrate Inspection, Flat surface, Fiducial Recognition



OPTO ENGINEERING

# ILLUMINATOR DATA

## LTZGK100-45-5-B-24V

Lighting Pattern				
Working Distance	24mm			
Display and Image				
Data Results	Horizontal	Meas.(mm)	Vertical	Meas.(mm)
	90%	15	90%	18
	80%	23	80%	27
	70%	31	70%	34
	60%	37	60%	41
	50%	43	50%	47
	40%	49	40%	54
	30%	56	30%	62
	20%	66	20%	73
	10%	83	10%	100
Max	Meas.(cd/m2)			
	36304.666			